

Monocrystalline Photovoltaic Module »



MEPV 132 HALF-CUT PLUS

BLACK - STANDARD »
500 Wp

QUALITY »



MBB technology
Better light absorption



Reduced BOS
Cost effective product



Long durability
Continuous performance



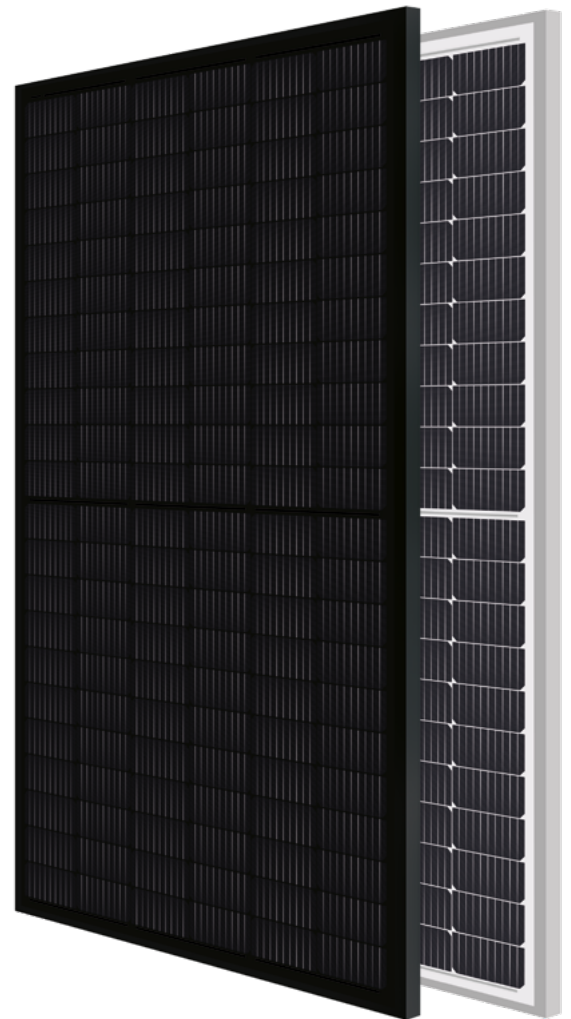
Fire resistance
Maximum protection



Avoid losses
Better shading tolerance



Efficiency
Over 21% efficiency



1997 to 2022
25TH
ANNIVERSARY

*** EUROPEAN QUALITY

WARRANTIES »

20 YEARS PRODUCT WARRANTY

25 YEARS PERFORMANCE WARRANTY
Linear Warranty

PRODUCT WARRANTY
for Premium Partners

+5
YEARS

CERTIFICATES »



TECHNICAL FEATURES »

Eurener_MEPV 132_HALF-CUT PLUS_500Wp_2022EN

FRAME

Black / Silver anodized aluminium

Robust and resistant to corrosion

CONNECTION BOX AND PROTECTIONS

Sealed, robust and wide for heat dissipation

IP67/IP68 according to IEC 60529

Diodes by-pass built-in (3/6)

Connector MC4 compatible

Application Class A. Safety Class II

Cables 1000 mm ($\pm 20\%$) length and 4 mm² section

FRONTAL

3,2 mm thick tempered glass with high strength and ARC

Textured, extra-clear with low iron content

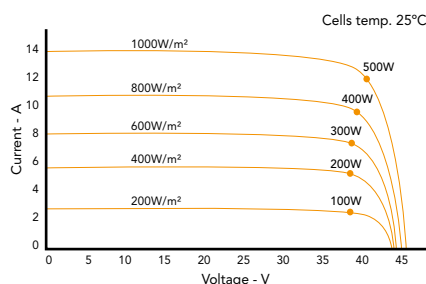
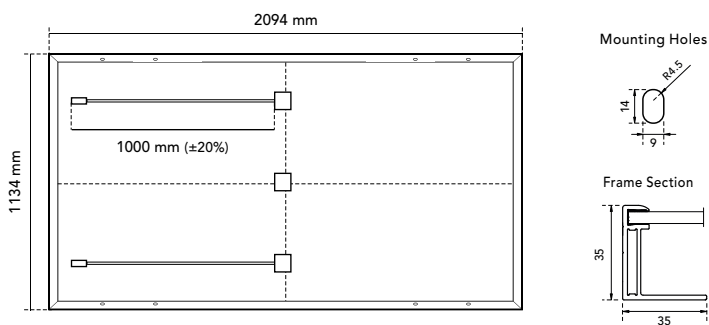
Frontal load (snow) 5400 Pa | Back load (wind) 2400 Pa

SOLAR CELLS

132 [2x(11x6)] cells monocrystalline silicon

WEIGHT, DIMENSIONS AND PACKAGING

26,3 Kg | 2094 x 1134 x 35 mm ($\pm 1\%$) | Pack: 682 pcs-truck



ELECTRIC DATA »

BLACK - STANDARD	MEPV 500
STC: 1000 W/m ² , module temperature 25°C, AM 1,5	
Nominal power. Pmax	500 Wp
Max. power tolerance. Pmax	0 / +5 W
Area of the module	2,37 m ²
Module efficiency	21,06 %
Isc	13,93 A
Voc	45,59 V
Imp	13,04 A
Vmp	38,35 V
NOCT: 800 W/m ² , ambient temperature 20°C, AM 1,5	
Nominal power. Pmax	377,98 W
Isc	11,27 A
Voc	42,72 V
Imp	10,52 A
Vmp	35,93 V
Operating parameters. Temperature coefficients	
Maximum voltage	1000 - 1500 V
Maximum series fuse rating. Ir	25 A
α Isc	0,0445 % / °C
β Voc	- 0,275 % / °C
γ Pmax	- 0,350 % / °C
Temperature range	- 40°C ~ + 85 °C
NOCT	45 \pm 2 °C

NOTE: Read the instruction manual of this product and follow the indications STC. Values are valid for: 1000W/m², AM 1,5 and cells temperature of 25°C. Measurement tolerance +/-3% (AAA Solar simulation -IEC 60.904-9-). All the information of this brochure may be amended without notice by Eurener. Eurener_MEPV 132_HALF-CUT PLUS_500Wp_EN_SEP2022

1997 to 2022
25
TH
ANNIVERSARY

www.eurenergroupp.com
contact@eurenerworld.com
+34 960 045 515
Calle Colón, 1-23
46004, Valencia, Spain

25 years manufacturing a better world

Since 1997 our main purpose has been to supply quality and long-lasting photovoltaic modules that allow us and future generations, to continue generating clean energy to take care of our planet.